



CONSTRUCTION



150+



#0252



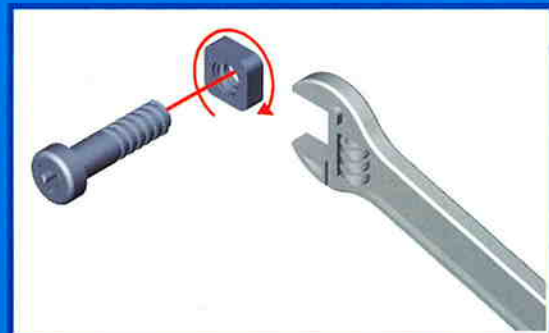
WARNING: CHOKING HAZARD
Small parts. Not for children under 3 years

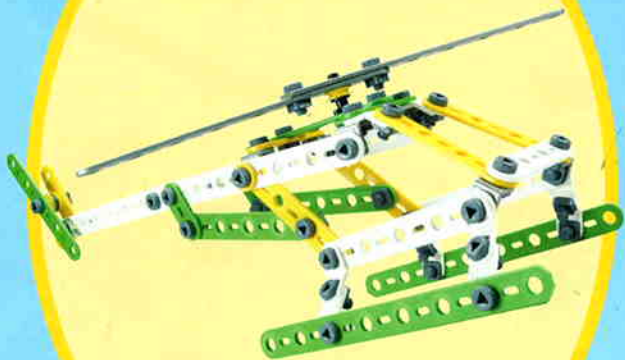
	B586	x2
	B586	x2
	B586	x4
	A005 (J0005)	x4
	A005 (J0005)	x4
	A004 (J0004)	x4
	A004 (J0004)	x2
	A003 (J0003)	x1
	A002 (J0002)	x3
	A632 (J0632)	x1
	A432 (J0432)	x1

	A922 (J0922)	x1
	A922 (J0922)	x1
	B571	x10
	A701 (J0701)	x7
	A132 (J3132)	x4
	A045 (J045)	x4
	A046 (J0046)	x4
	A053 (J0053)	x6
	A077 (J0077)	x4
	A054 (J0054)	x2
	A051 (J0051)	x40
	A052 (J0052)	x44
	A095 (J0095)	x1
	A090 (MJX0200)	x1

CONSTRUCTION TIPS

LES ASTUCES DE CONSTRUCTION
 KONSTRUKTIONS-TIPPS
 LE ASTUZIE DELLA COSTRUZIONE
 LOS INGENIOS DE LA CONSTRUCCIÓN
 DICAS PARA A MONTAGEM
 KOKOONPANON KIKAT
 BYGGKNEPEN
 ET PAR TIPS TIL BYGGEARBEJDET
 DE FIJNE KNEEPJES VAN NET BOUWEN
 Τα έξυπνα κόλπα κατασκευής
 組み立ての秘訣





p4



p6



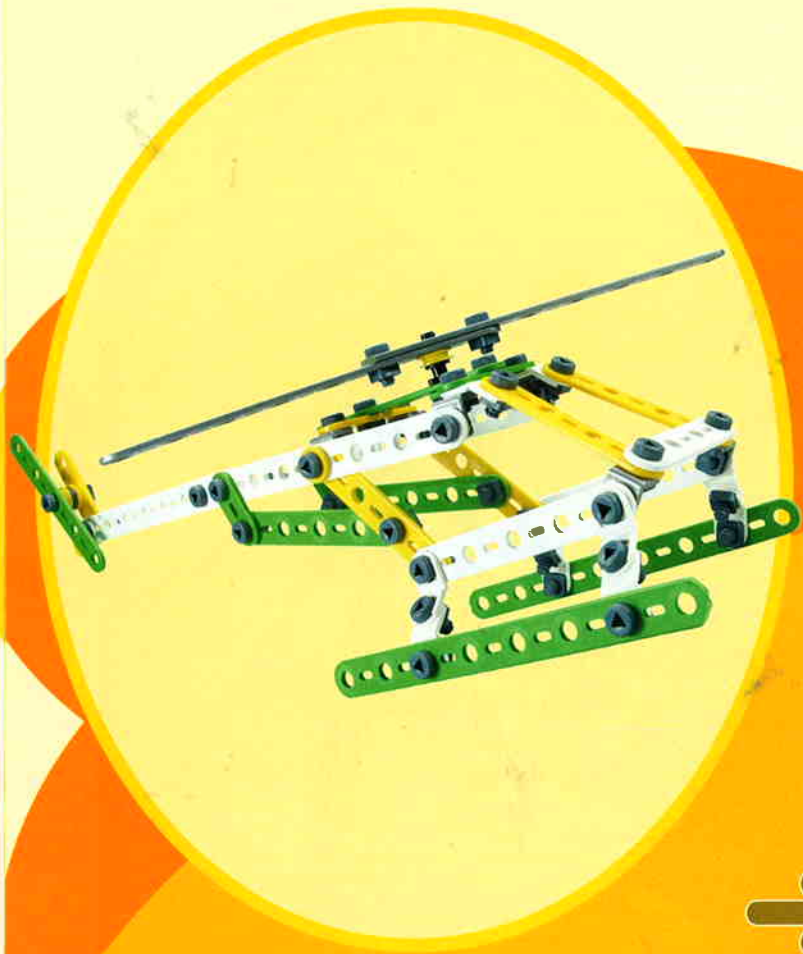
p8



p10



p12



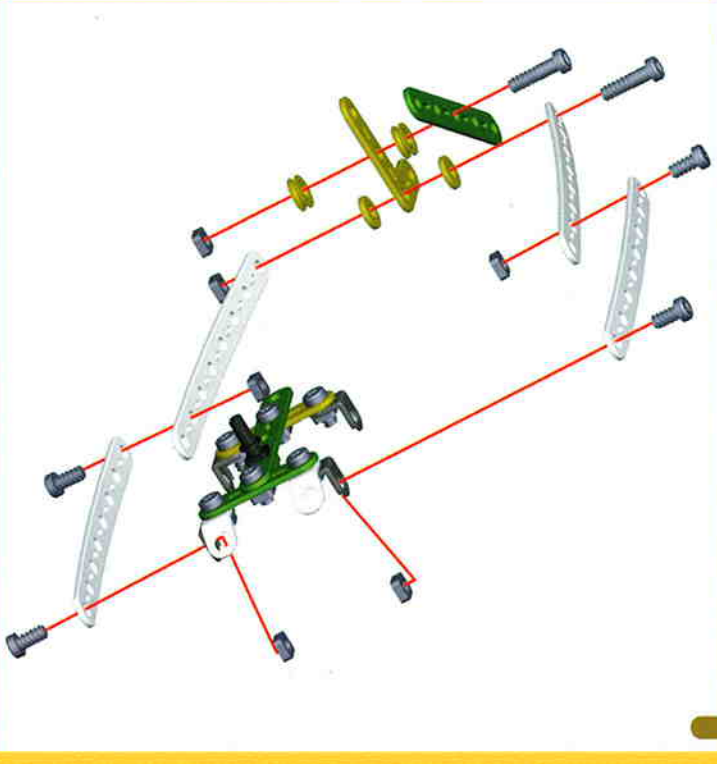
1

- x6
- x7
- x1
- x4
- x2
- x1
- x1
- x1



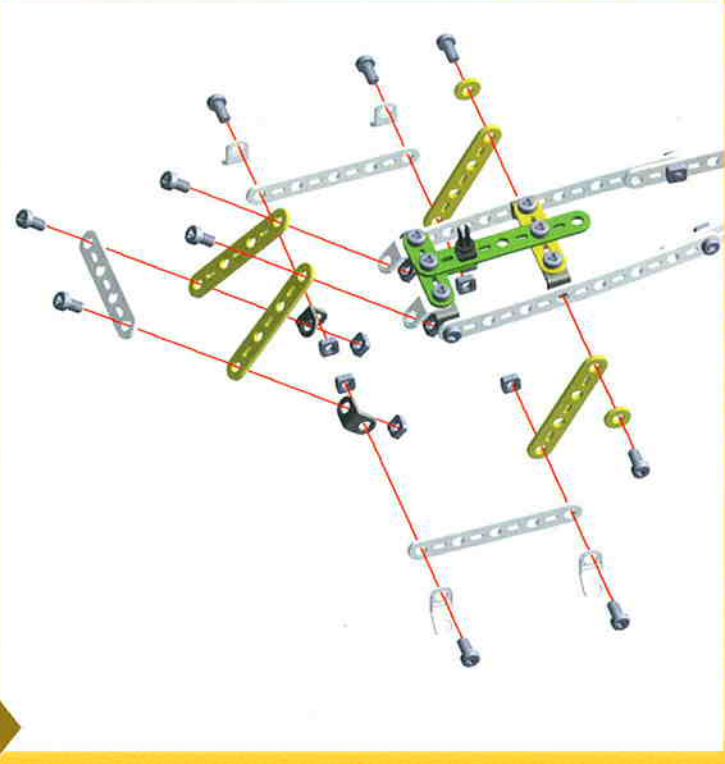
2

- x4
- x2
- x1
- x4
- x6
- x2
- x2
- x1
- x1



3

- x10
- x10
- x4
- x2
- x2
- x1
- x4
- x2



4

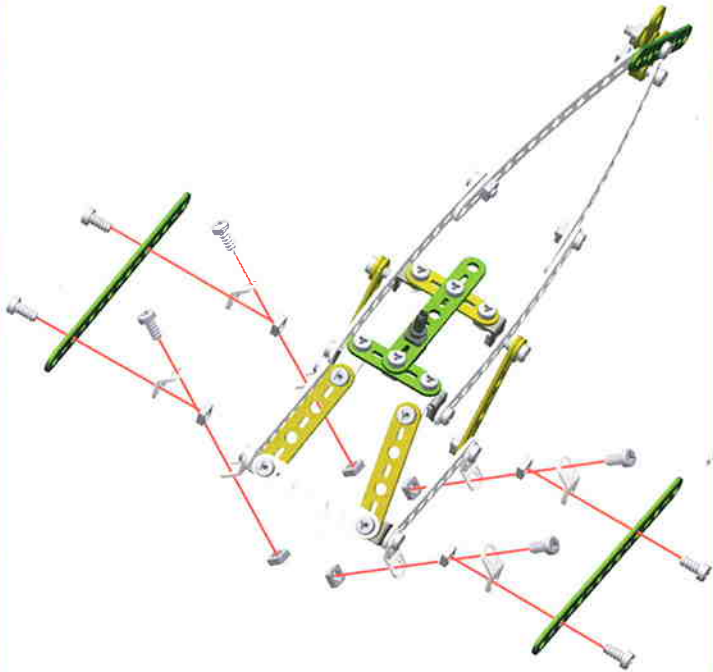
Pin x8

Bracket x4



Pin x8

x2



5

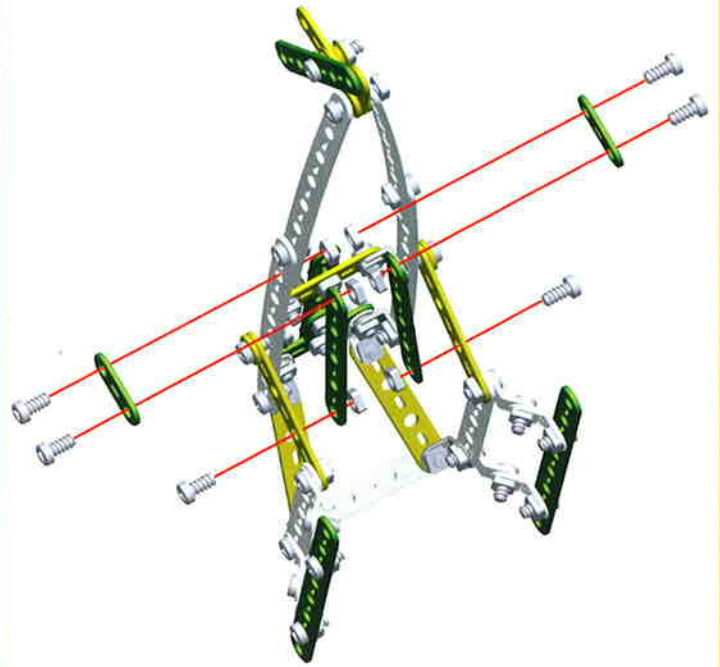
Pin x6

Pin x6

Bracket x2



x2



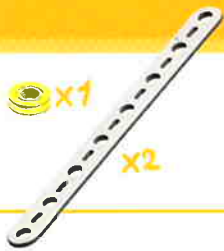
6

Pin x2

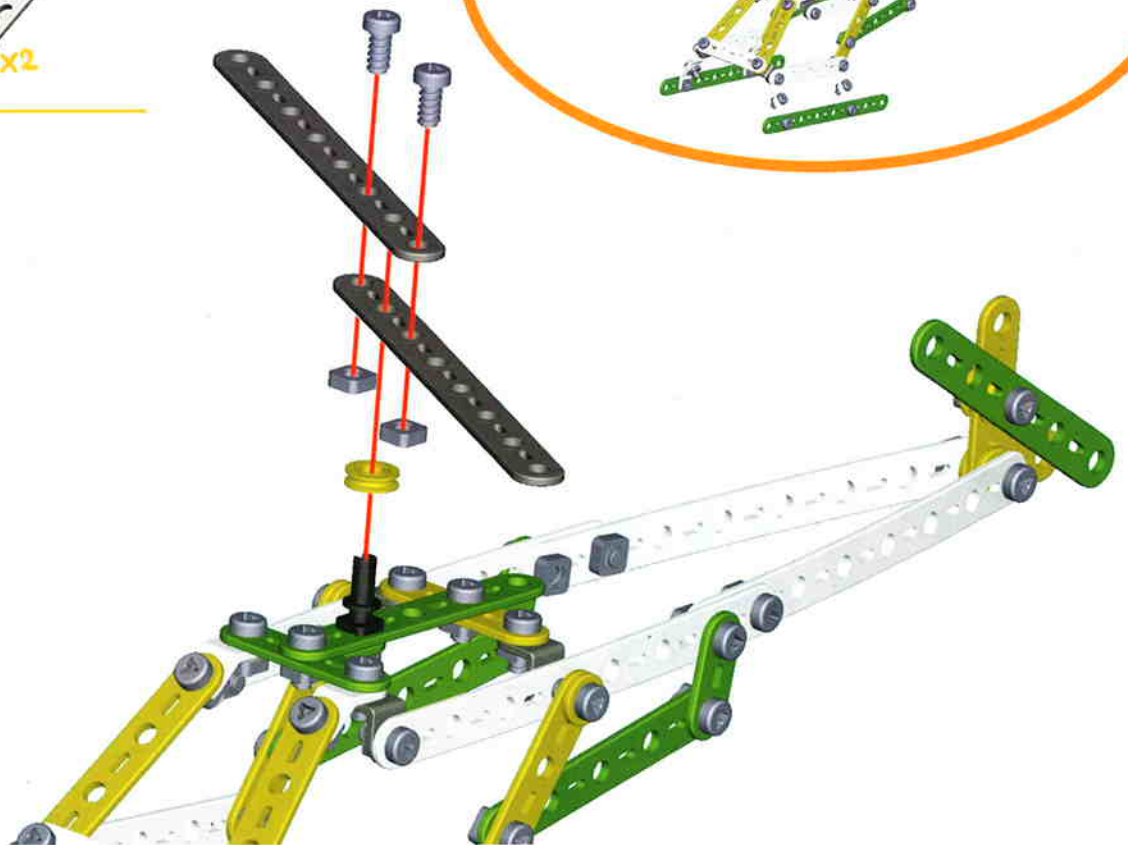
Washer x1

Pin x2

x2

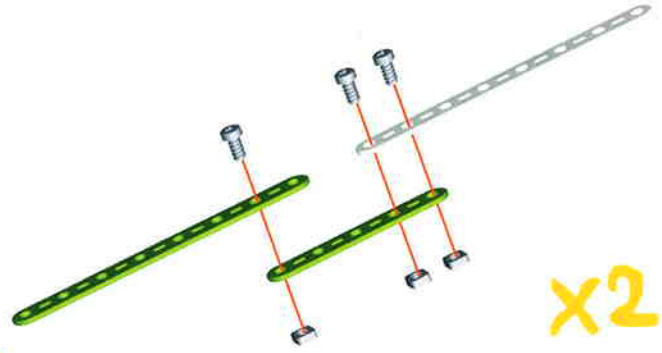


x2

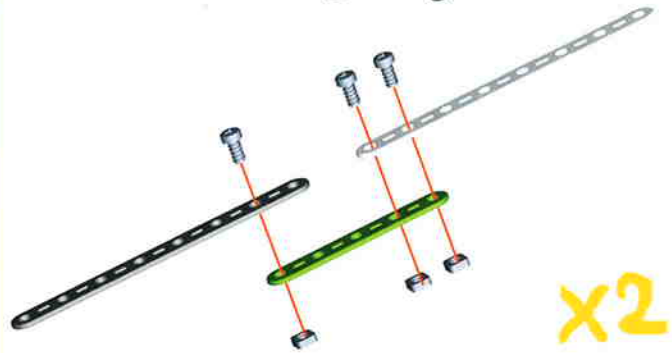




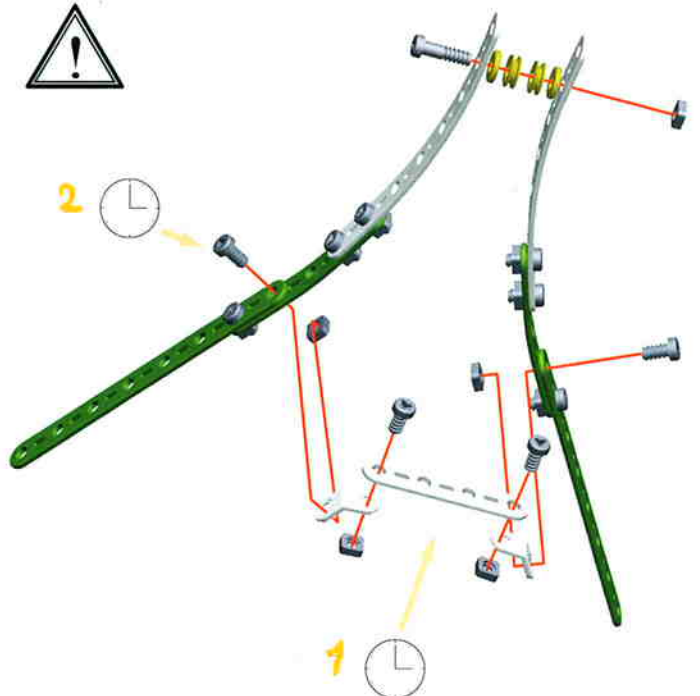
1 x6 x6 x2 x2 x2



2 x6 x6 x2 x2 x2



3 x4 x1 x5 x2 x2 x1 x2



4 x4 x1 x5 x2 x1 x1 x2



5

x8 x8 x8 x4



x4



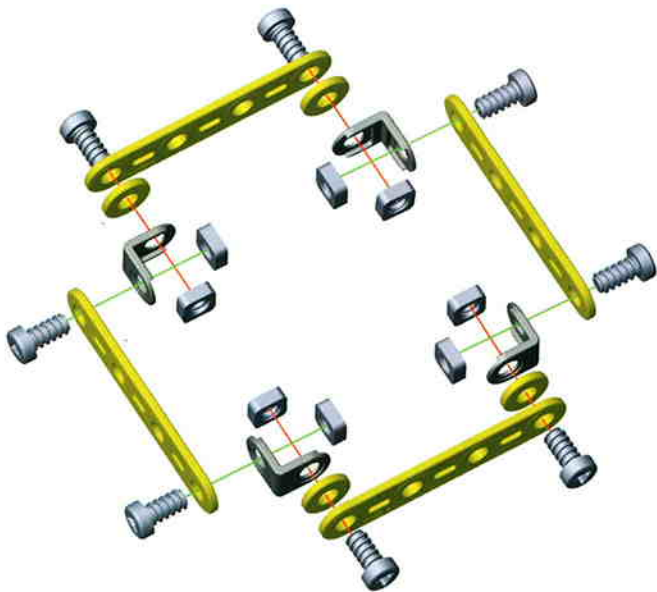
6

x4 x4



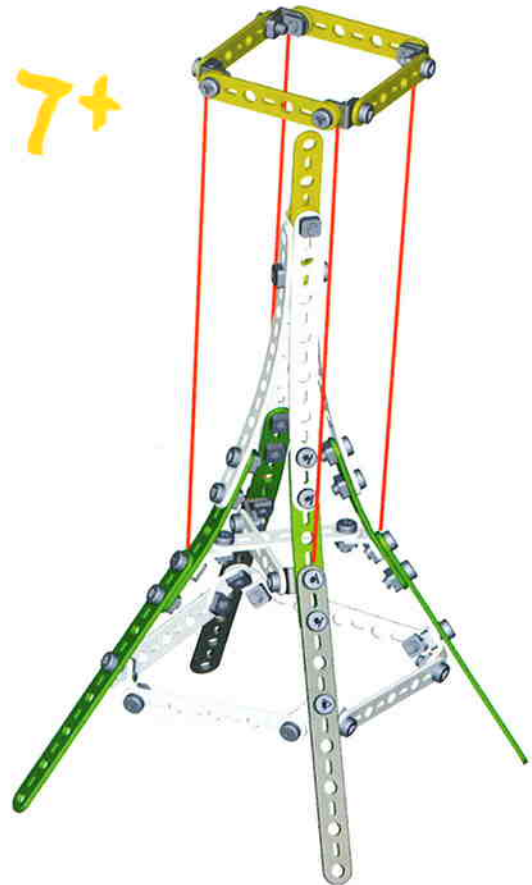
7

x8 x8 x4 x4 x4



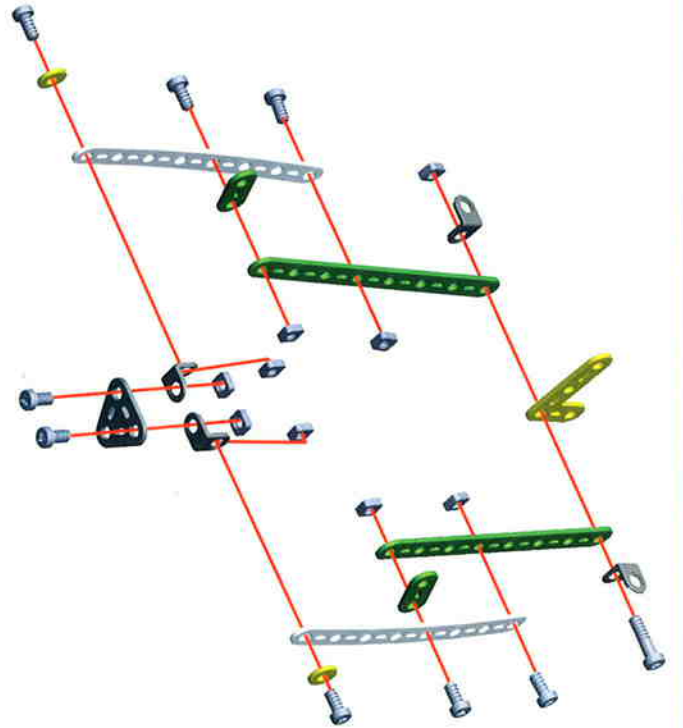
8

7+

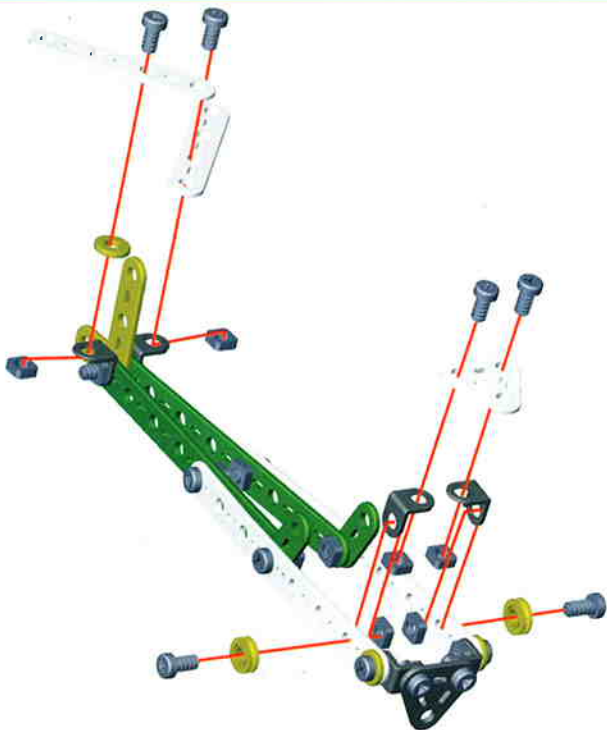




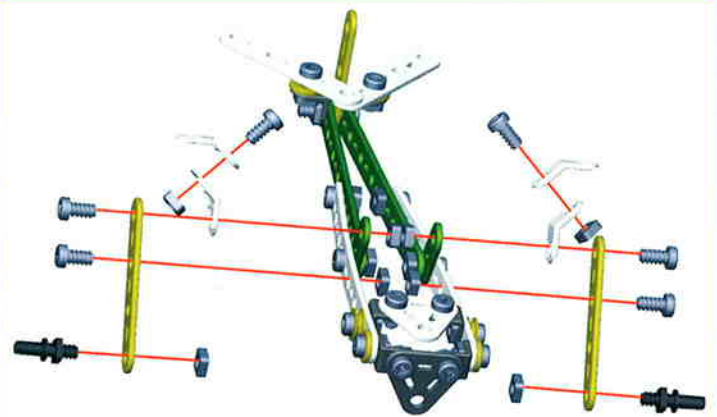
- 1**
- Blue pin x8
 - Grey axle x1
 - Green Technic beam x2
 - Yellow Technic beam x2
 - Black Technic pin x2
 - Black Technic axle x2
 - Black Technic bush x1
 - Black Technic bush x1
 - Black Technic bush x4
 - White Technic beam x2
 - Green Technic beam x2



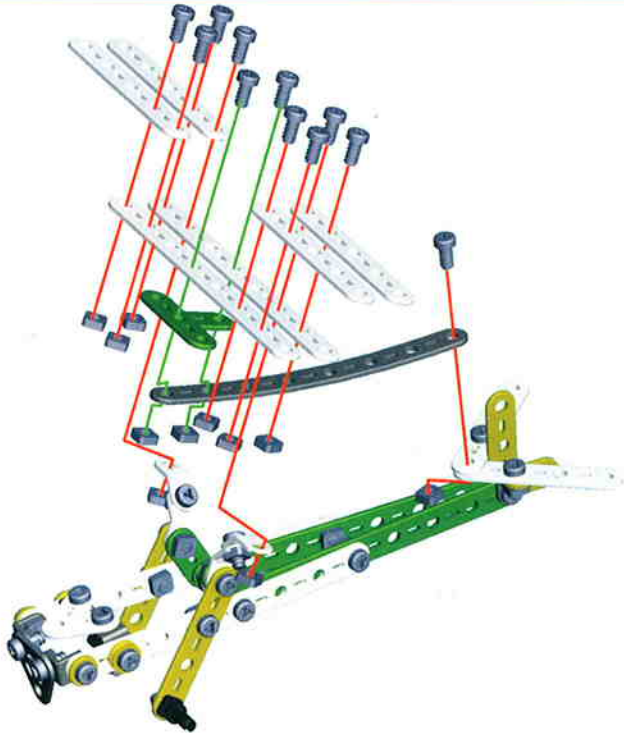
- 2**
- Blue pin x6
 - Black Technic pin x2
 - White Technic beam x2
 - Black Technic bush x1
 - Black Technic bush x6
 - Yellow Technic bush x1
 - Yellow Technic bush x2



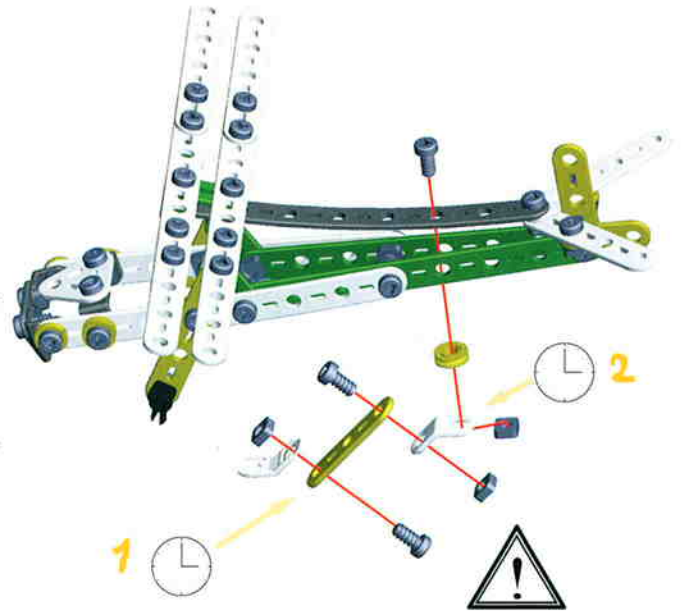
- 3**
- Blue pin x6
 - Black Technic pin x8
 - Black Technic bush x2
 - Black Technic bush x4
 - Yellow Technic beam x2



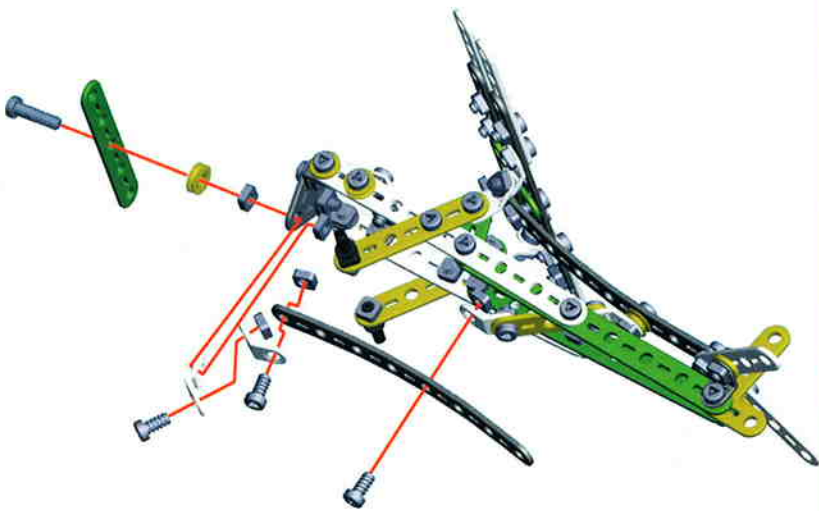
- 4
- x11
 - x11
 - x1
 - x4
 - x2
 - x1



- 5
- x3
 - x2
 - x1
 - x3
 - x1



- 6
- x3
 - x5
 - x1
 - x1
 - x2
 - x1
 - x1



- 7
- x2
 - x2

