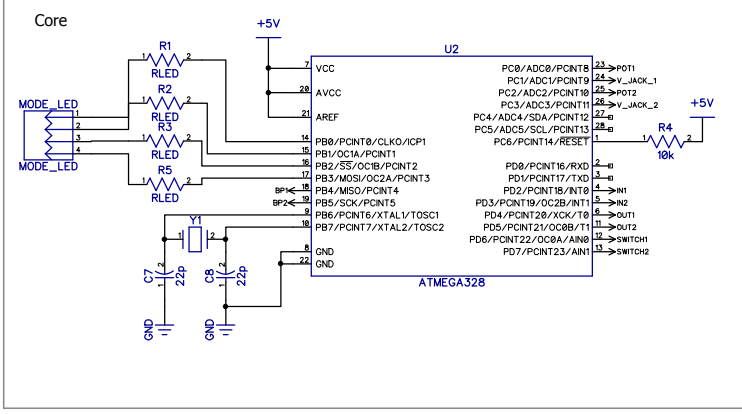
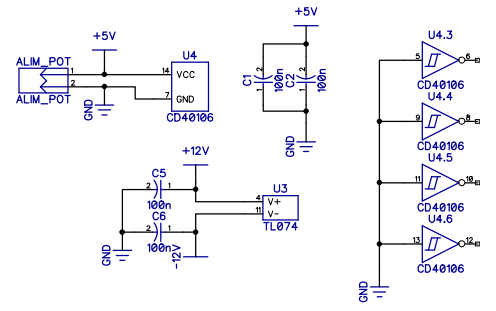
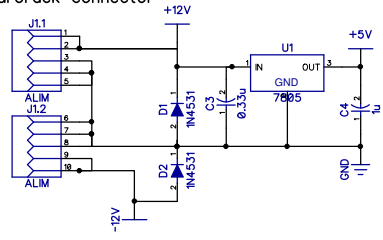


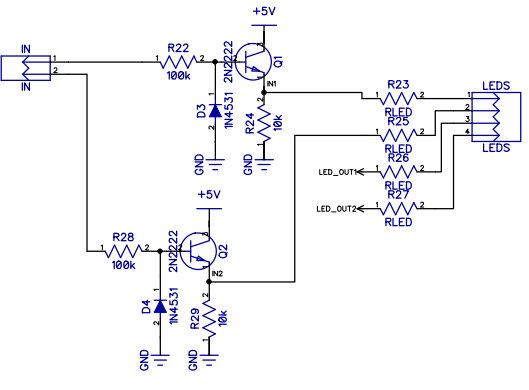
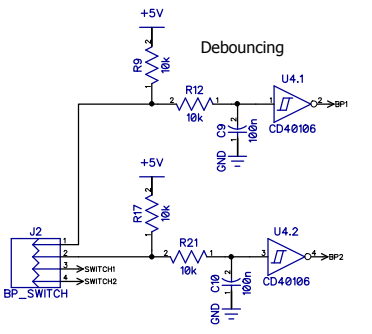
# POWER SUPPLY

## Eurorack connector



## PB & SWITCH & IN

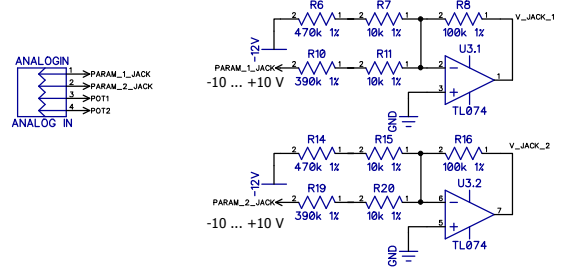
### Debouncing



## Analog inputs

$$V_{OUT} = -100 \left( \frac{V_I}{400} - \frac{12}{480} \right) = -0.25V_I + 2.5$$

$$[-10V, +10V] \rightarrow [+5V, 0V]$$



## Outputs

