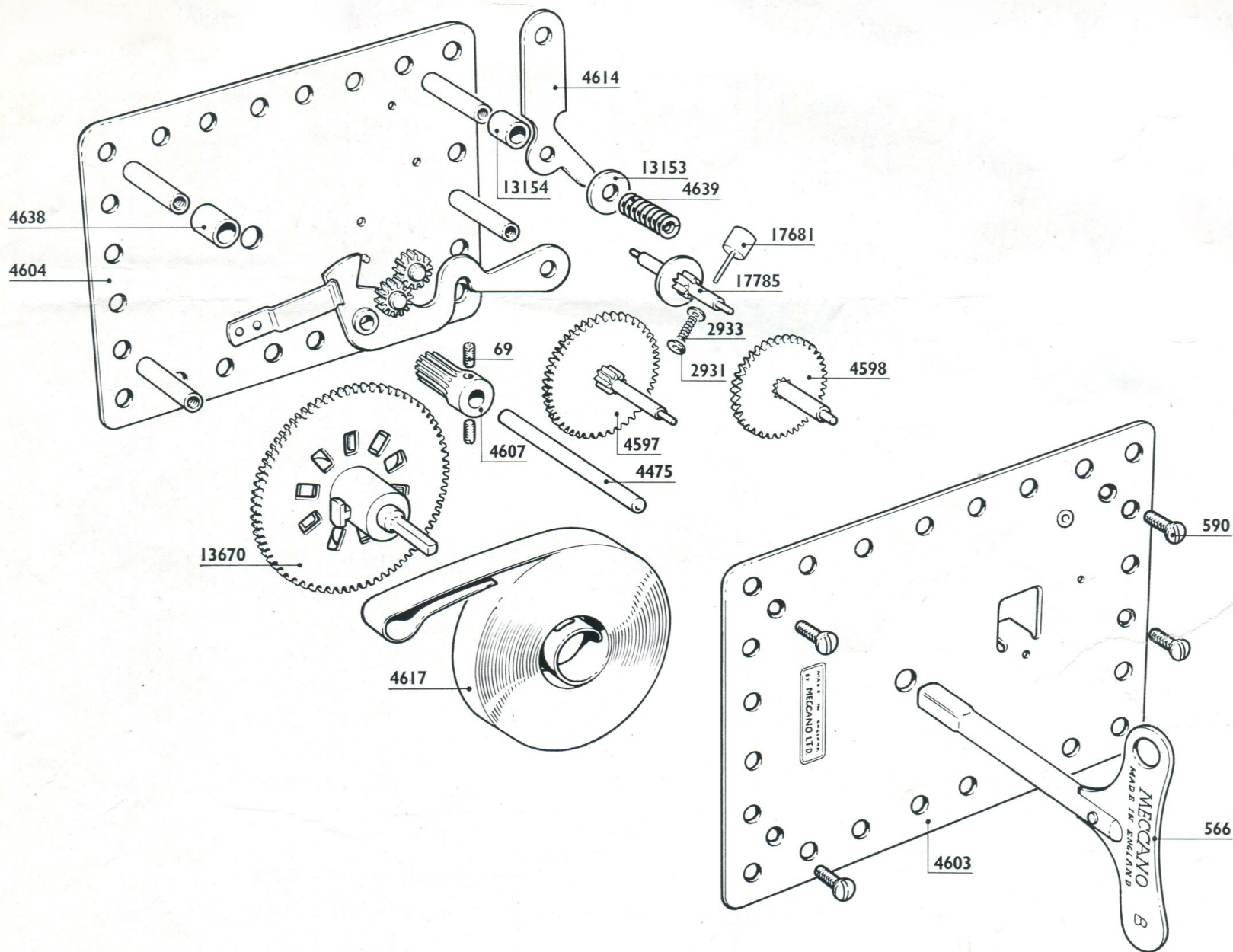


MECCANO No. 1 CLOCKWORK MOTOR



- | | | | | | | |
|-------------------------|--|-------------------------|-------------------------------------|---|----------------------------|---|
| 4600 Front Plate | } 4603 Front Plate Assembly | 4601 Back Plate | } 17784 Back Plate and Pin Assembly | } 17783 Backplate Spring and Pin Assembly | } 17263 Backplate Assembly | } 4604 Backplate and Reverse Lever Assembly |
| 1120 Governor Box | | | | | | |
| 1124 Governor Bush | | 4644 Spring | | | | |
| 13671 Winding Shaft | } 13670 No. 1 Gear Assembly | 594 Rivet | } 4618 Reverse Lever Assembly | | | |
| 13672 No. 1 Gear | | | | 591 Pillar | | |
| 13673 Ratchet | | 4565 Reverse Lever | | | | |
| 13674 Washer | | 4625 Reverse Pinion | | | | |
| 13675 Mainspring Pin | | 4626 " " Stud | | | | |
| 4605 No. 2 Gear | } 4597 No. 2 Gear Assembly | 4627 Idler Pinion | | | | |
| 4608 No. 2 Pinion Shaft | | | 4634 " " Stud | | | |
| 4606 No. 3 Gear | } 4598 No. 3 Gear Assembly | 4566 Reverse Lever Bush | | | | |
| 4609 No. 3 Pinion Shaft | | | 4617 Mainspring | | | |
| 553 Handle | } 566 Winding Key Assembly | 4614 Brake Lever | | | | |
| 556 Barrel | | | 13154 Sleeve | | | |
| 557 Rivet | | 4639 Brake Lever Spring | | | | |
| 1806 Weight | | 4607 Driving Pinion | | | | |
| | } 17681 Pin and Weight Assembly | 4475 Driving Spindle | | | | |
| 1808 Pin | | | 590 Screw | | | |
| 4610 Pinion Shaft | } 17785 Pinion Shaft and Disc Assembly | 69 Grubscrew | | | | |
| | | | 4638 Mainspring Spacing Sleeve | | | |
| 4616 Brake Disc | } 4599 Governor Pinion Assembly | 13153 Washer | | | | |
| 2931 Washer | | | | | | |
| 2933 Spring | | | | | | |