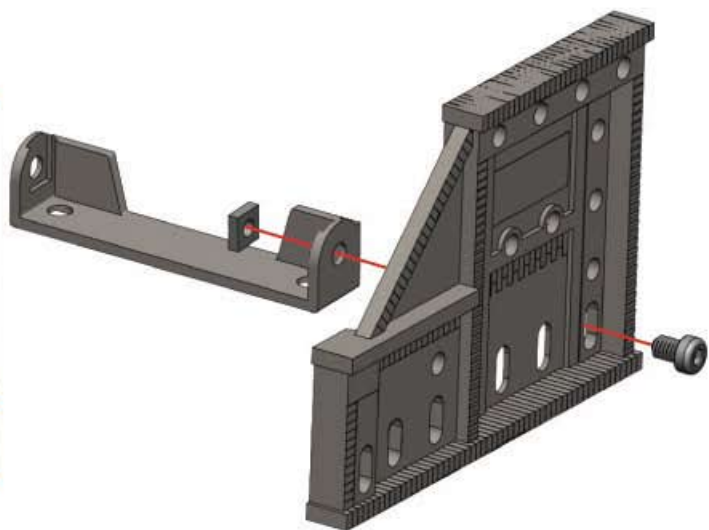




1

	x1
	x1
	x1
	x1

	S1	1:1
--	----	-----



2

	x1
	x1
	x1

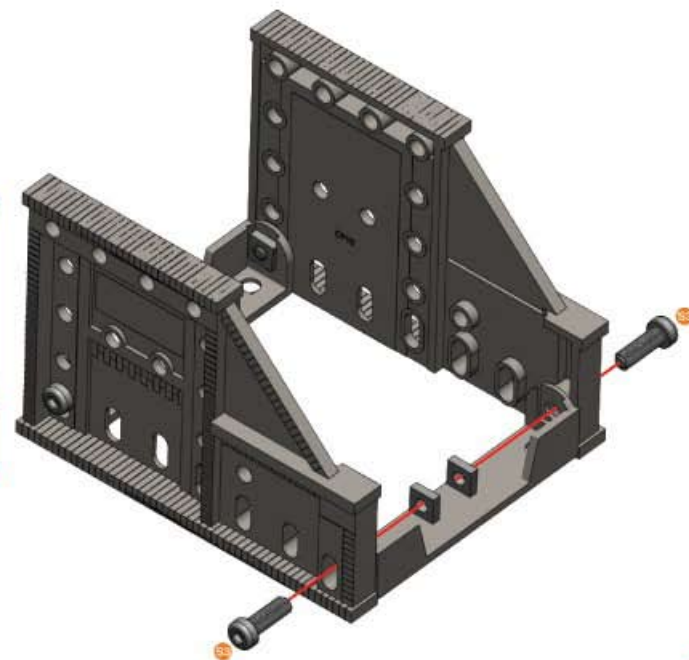
	S1	1:1
--	----	-----



3

	x1
	x2
	x2

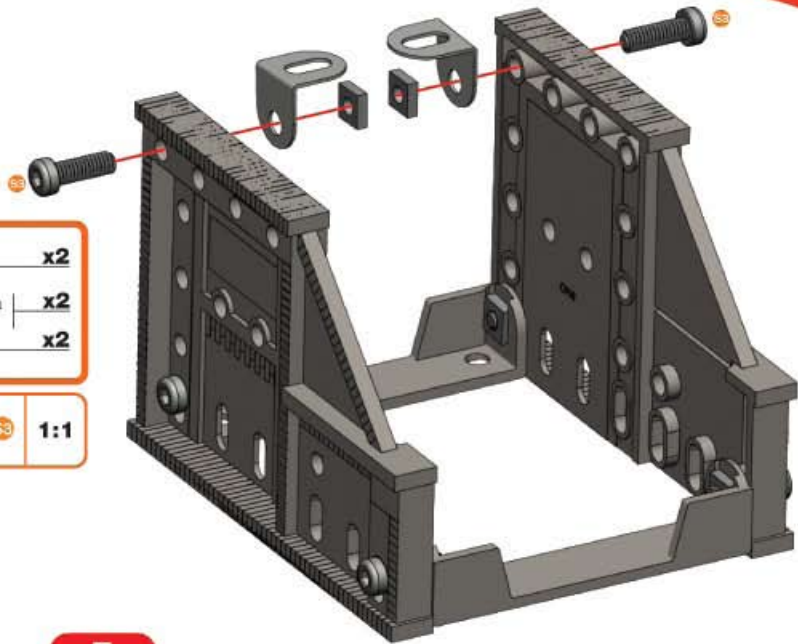
	S2	1:1
--	----	-----



4

-  x2
-  12mm | 1/2" x2
-  x2

-  S2 1:1



5

-  x1
-  x1
-  19mm | 3/4" x1
-  x1

-  S2 1:1



6

-  x1
-  S5 25,4mm | 1" x1
-  x1

-  S5 1:1

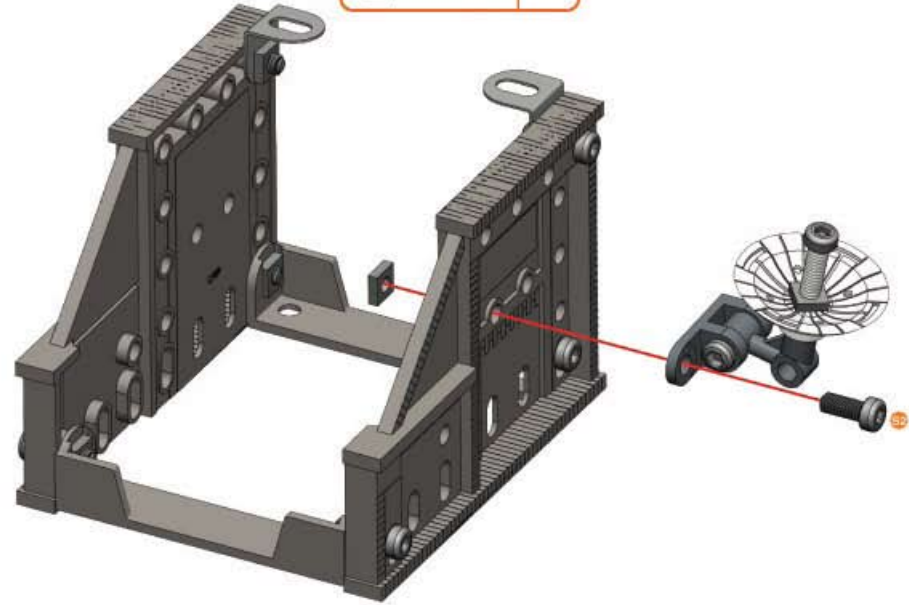


7

4 + 6 +

-  9,5mm | 3/8" x1
-  x1

-  S2 1:1



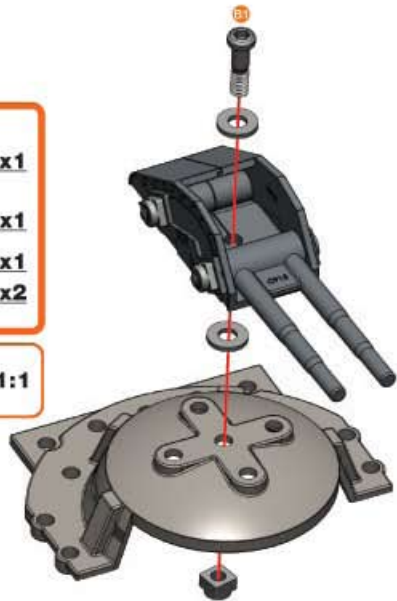
8

-  x1
-  x1
-  x1
-  28mm | 1 1/8" x2
-  x2

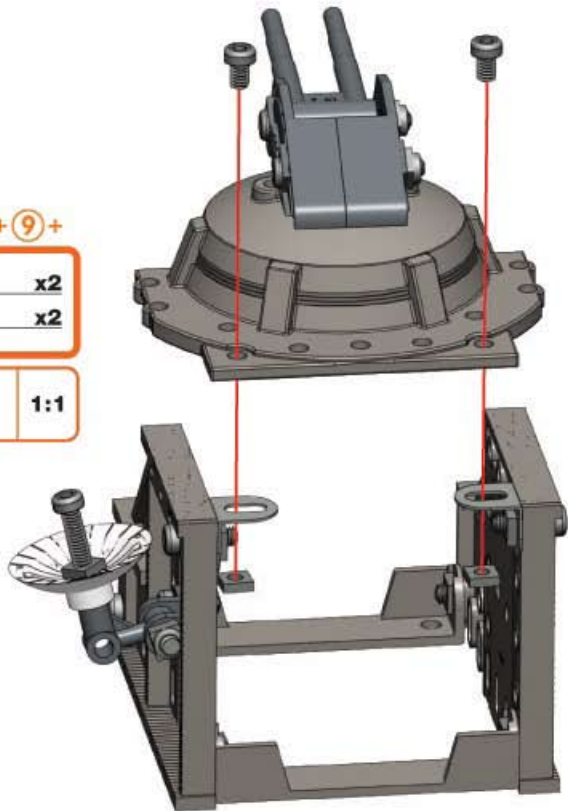
-  S6 1:1



- 9**
-  x1
 -  14,7mm | 37/64" x1
 -  x1
 -  x2
 -  14,7mm | 37/64" 1:1



- 10** (7)+(9)+
-  5,8mm | 15/64" x2
 -  x2
 -  1:1



11

1 ← EVACUATION ROUTE

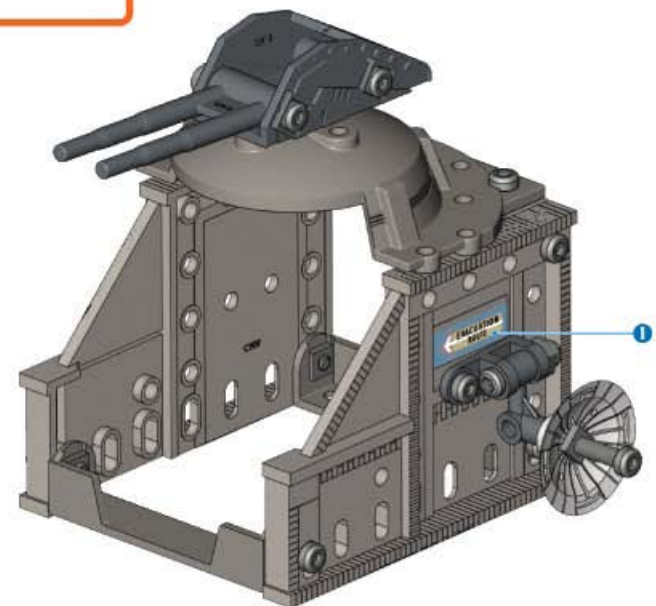
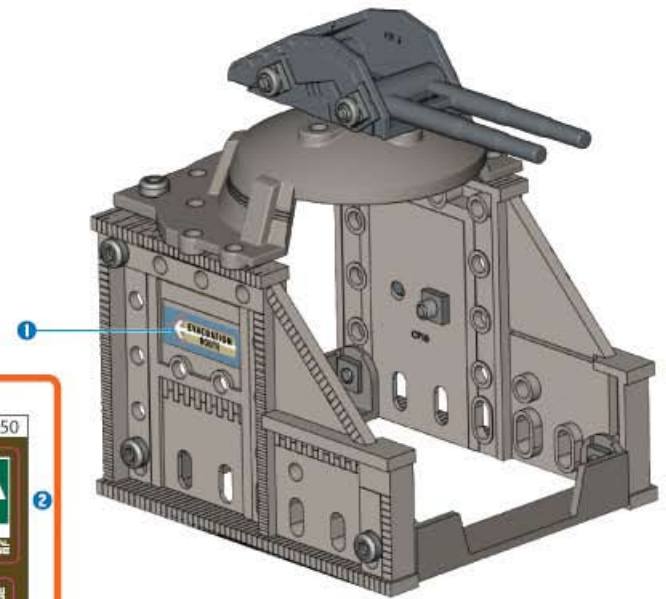
1 ← EVACUATION ROUTE

2 → INDUSTRIAL STORAGE





2 → INDUSTRIAL STORAGE

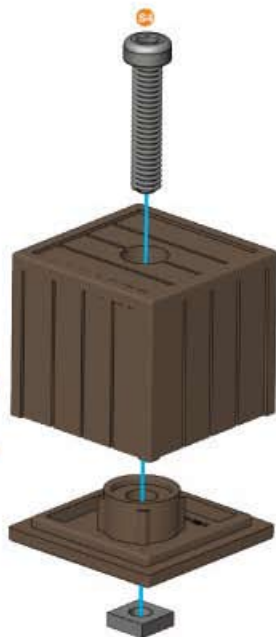
Code: 854451 182001

Ref: S150



12

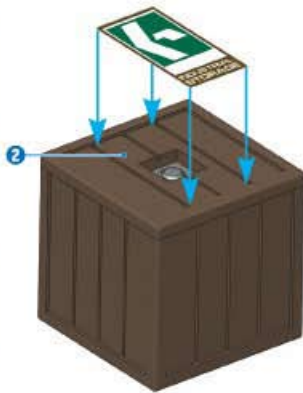
-  x3
-  x3
-  19mm x3
-  3/4" x3



x3



13



x3

