



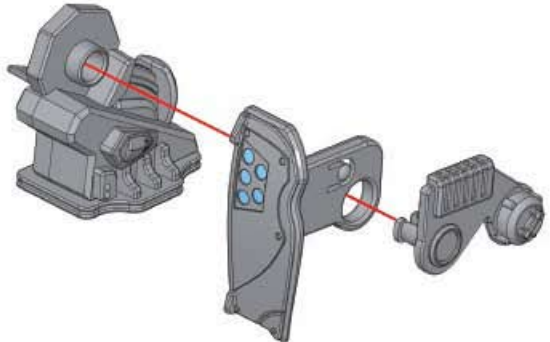
**1**

- x1
- x1
- x1



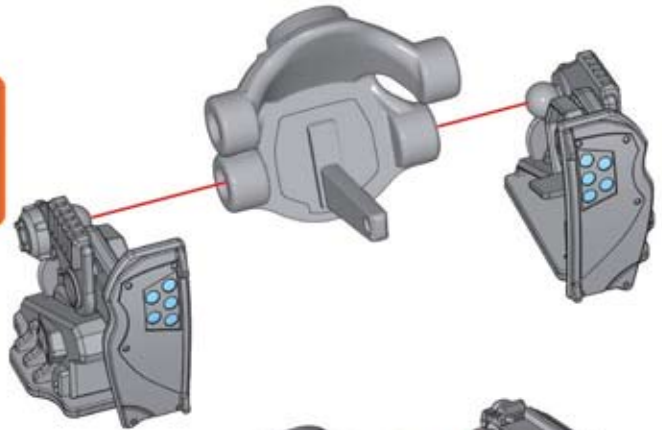
**2**

- x1
- x1
- x1



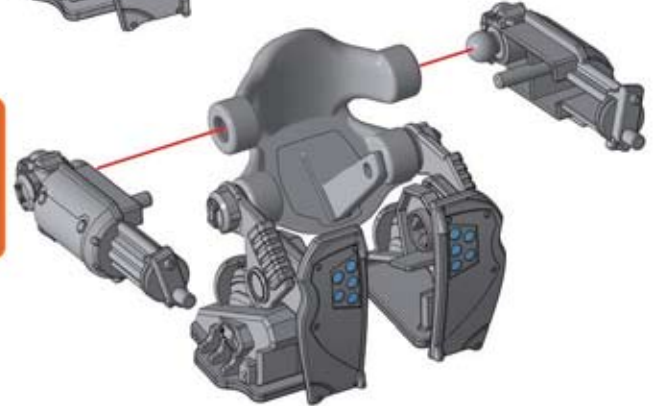
**3** ①+②+

- x1



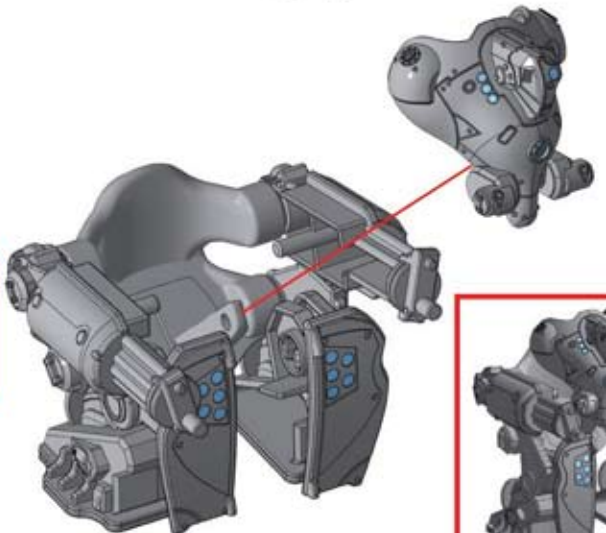
**4**

- x1
- x1



**5**

- x1





**6**

	x2
	x1
	x1

**1:1**

**7**

	x2
	x1
	x2
	x2

**1:1**

**8**

	x1
	x1
	x1
	x1

**1:1**

**9**

	x1
	x1
	x1
	x1

**1:1**

**10** 7+8+

	x1
	x1

**1:1**

**11** 9+10+

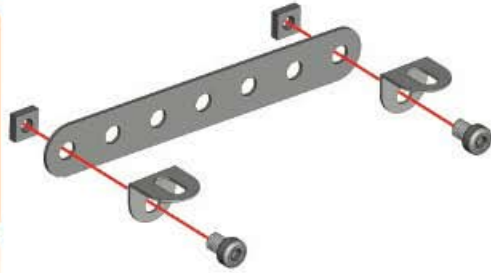
	x1
	x1

**1:1**

**12**

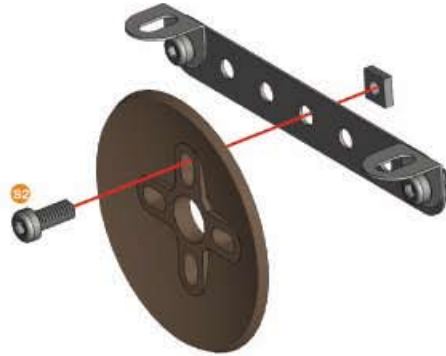
	<b>x1</b>
	<b>x2</b>
	<b>x2</b>
	<b>x2</b>

	<b>1:1</b>
--	------------

**13**

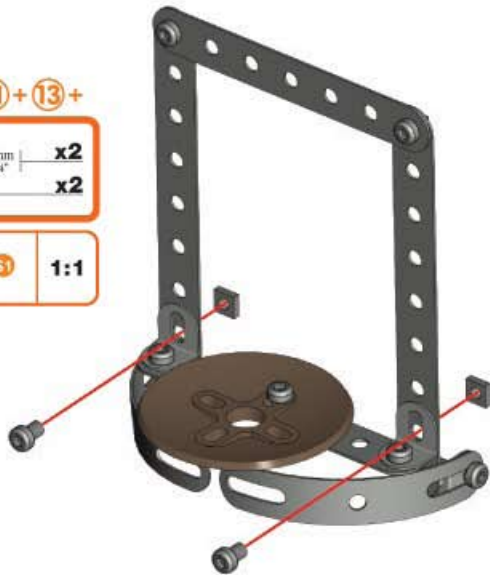
	<b>x1</b>
	<b>x1</b>
	<b>x1</b>

	<b>1:1</b>
--	------------

**14****(11) + (13) +**

	<b>x2</b>
	<b>x2</b>

	<b>1:1</b>
--	------------

**15**

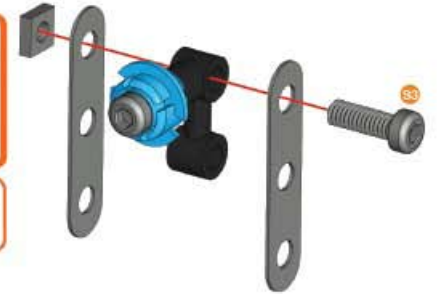
	<b>x1</b>
	<b>x1</b>
	<b>x1</b>

	<b>1:1</b>
--	------------

**16**

	<b>x2</b>
	<b>x1</b>
	<b>x1</b>

	<b>1:1</b>
--	------------

**17**

	<b>x1</b>
	<b>x1</b>
	<b>x1</b>

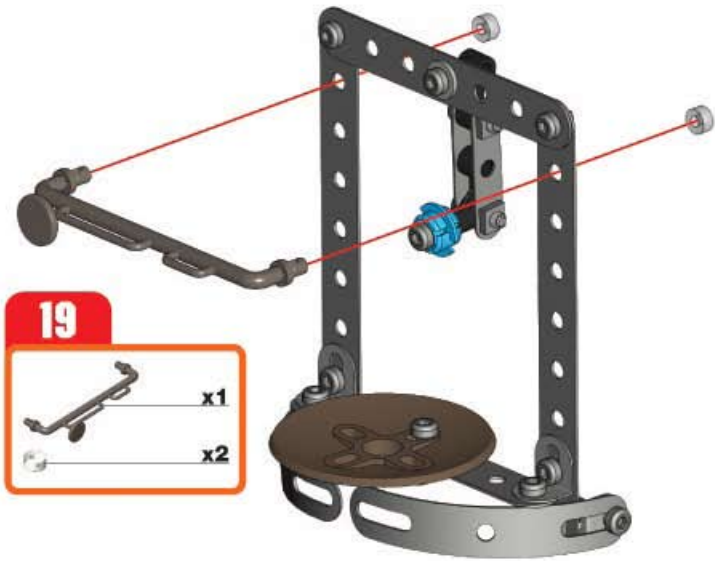
	<b>1:1</b>
--	------------

**18****(14) + (17) +**

	<b>x1</b>
	<b>x1</b>

	<b>1:1</b>
--	------------



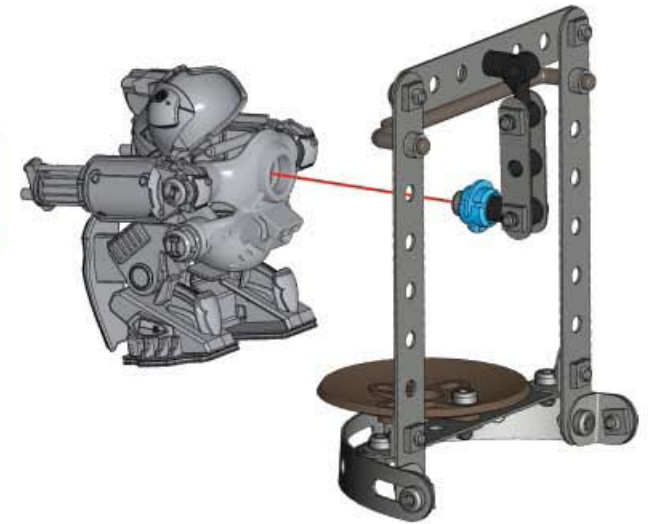


**19**

	x1
	x2

**21**

5 + 20



**20**

Code: 854450182001

Ref: S146

