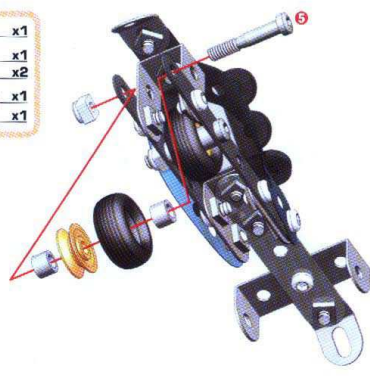
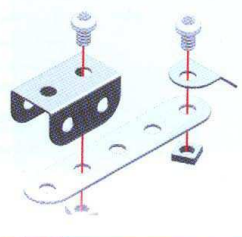


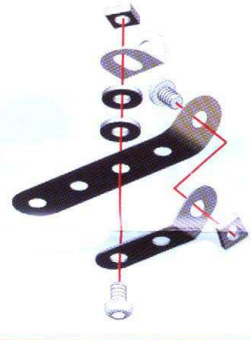
- 8**
- x1
 - x1
 - x2
 - 23 mm 29/32" x1
 - x1



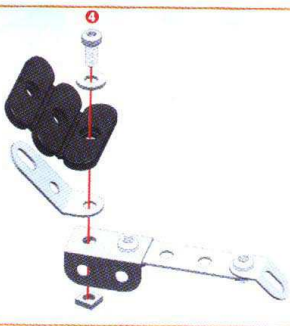
- 1**
- x1
 - x1
 - x1
 - 5,8 mm 15/64" x2
 - x2



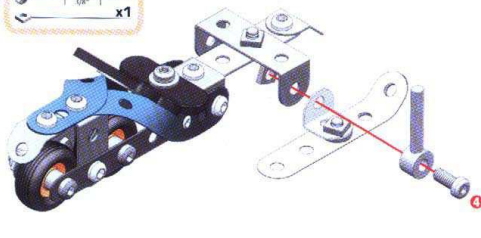
- 9**
- x1
 - x2
 - x1
 - 5,8 mm 15/64" x2
 - x2



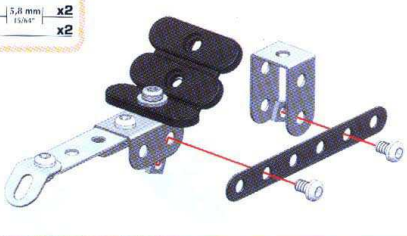
- 2**
- x1
 - x1
 - x1
 - 9,5 mm 3/8" x1
 - x1



- 10** 8 + 9 +
- x1
 - 9,5 mm 3/8" x1
 - x1



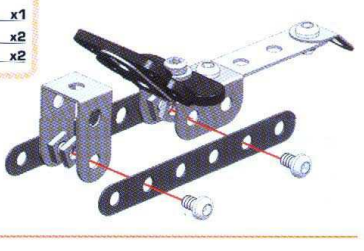
- 3**
- x1
 - x1
 - 5,8 mm 15/64" x2
 - x2



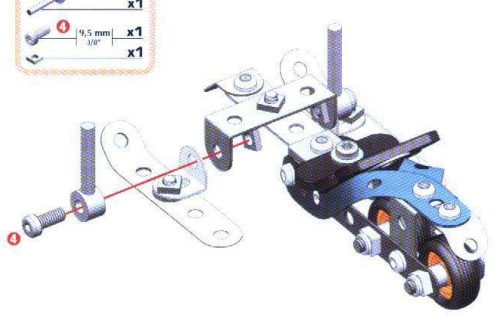
- 11**
- x1
 - x1
 - x2
 - x1
 - 5,8 mm 15/64" x2
 - x2



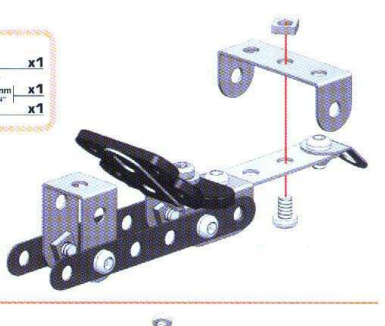
- 4**
- x1
 - 5,8 mm 15/64" x2
 - x2



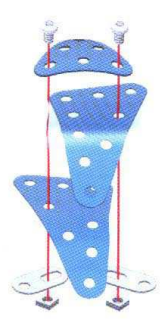
- 12** 10 + 11 +
- x1
 - 9,5 mm 3/8" x1
 - x1



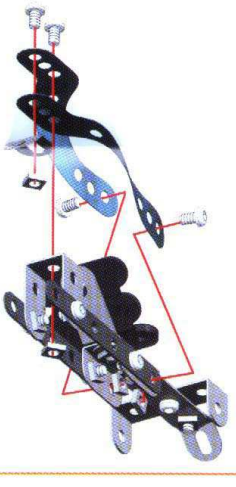
- 5**
- x1
 - 5,8 mm 15/64" x1
 - x1



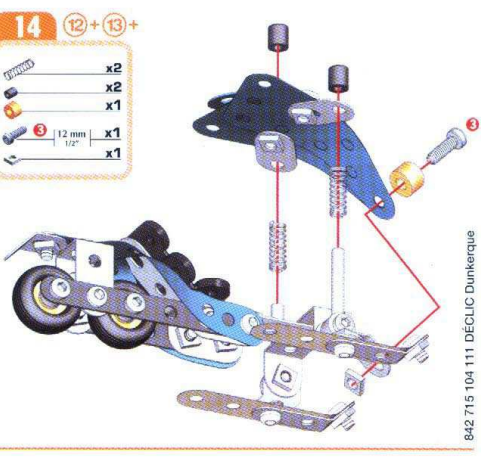
- 13**
- x2
 - x1
 - x2
 - 5,8 mm 15/64" x2
 - x2



- 6**
- x2
 - x1
 - 5,8 mm 15/64" x4
 - x4



- 14** 12 + 13 +
- x2
 - x2
 - x1
 - 12 mm 1/2" x1
 - x1



- 7**
- x1
 - x1
 - x2
 - 23 mm 29/32" x1
 - x1

