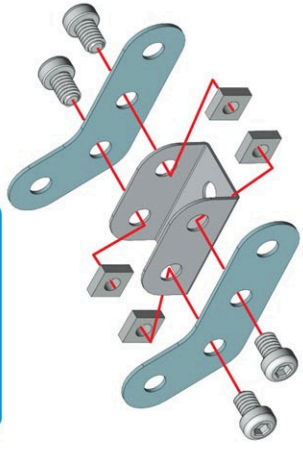


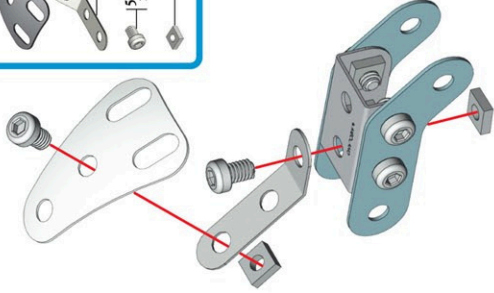


840708D

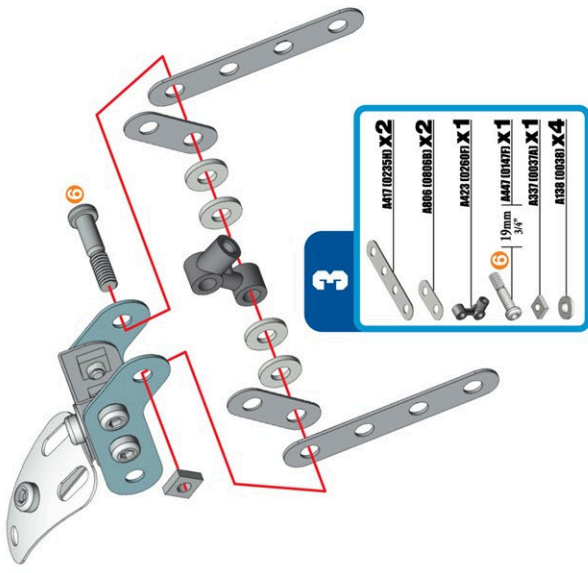
- 1**
- A233 (01333C) X2
 - A951 (00616C) X1
 - 5,8mm 15/64" X4
 - A957 (00627B) X4
 - A937 (00527A) X4



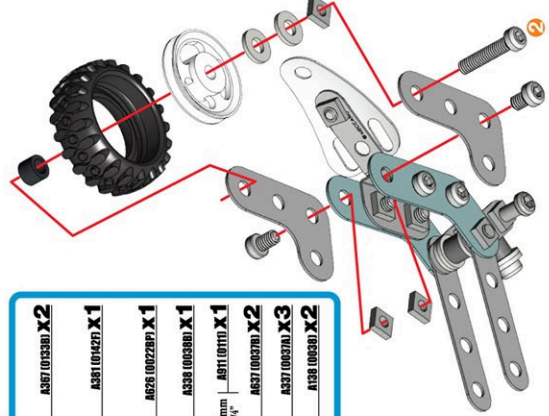
- 2**
- B64 X1
 - A437 (0812D) X1
 - 5,8mm 15/64" X2
 - A937 (00627B) X2
 - A937 (00527A) X2



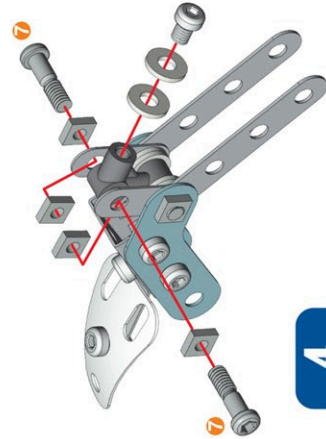
- 3**
- A471 (0251D) X2
 - A806 (00608B) X2
 - A423 (02501D) X1
 - A447 (01407D) X1
 - 19mm 3/4" X1
 - A937 (00627B) X1
 - A958 (00638) X4



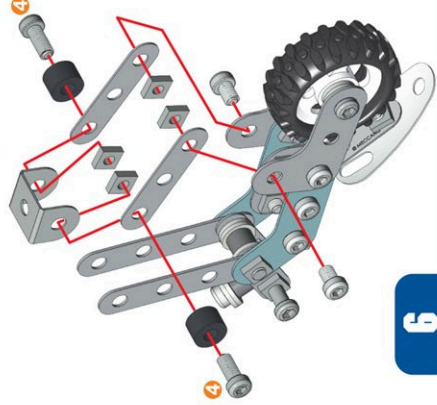
- 5**
- A387 (01333B) X2
 - A981 (04227) X1
 - A676 (00228P) X1
 - A338 (00638B) X1
 - 19mm 3/4" X1
 - 5,8mm 15/64" X2
 - A937 (00627B) X3
 - A138 (00638) X2



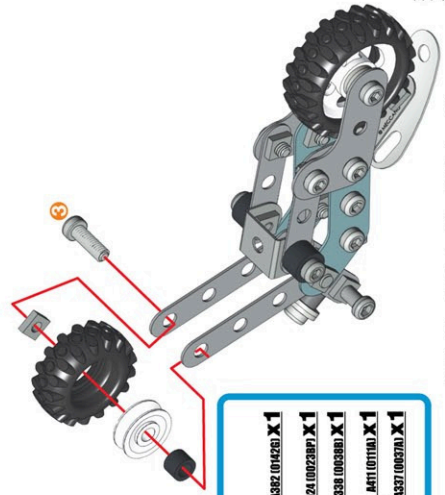
- 4**
- 14,7mm 3/8" A927 (04157D) X2
 - A937 (00627B) X4
 - 5,8mm 15/64" A937 (0437B) X1
 - A138 (00638) X2



- 6**
- A416 (02265D) X2
 - 19,5mm 3/8" A937 (00627B) X2
 - A724 (0011D) X1
 - 5,8mm 15/64" A937 (00627B) X2
 - A238 (00638A) X2
 - A937 (00627B) X4



- 7**
- A382 (01420) X1
 - A924 (00238P) X1
 - A338 (00638B) X1
 - 12mm 1/2" A411 (0111A) X1
 - A937 (00627B) X1



Made in China Fabriqué en Chine Fabricado en China



363, avenue de Saint-Euphrasy 62100 Calais - France
<http://www.meccano.com> <http://www.erec-tor-sets.com>

©09/2008 MECCANO ©MECCANO and ERECTOR are exclusive trademarks of MECCANO.
 All rights reserved.

Warning: Not suitable for children under 36 months
 due to small parts which may constitute a choking hazard.



840708D 104 111