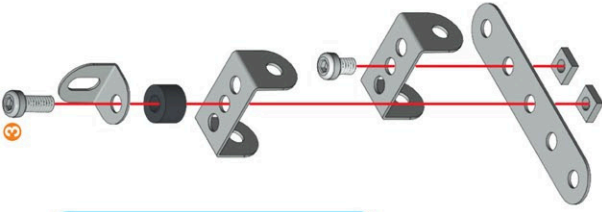


840708C

1

A105 (00065)	X1
A549 (00463)	X2
A672 (00172)	X1
A228 (00384)	X1
A411 (00144)	X1
A527 (00378)	X1
A537 (00374)	X2

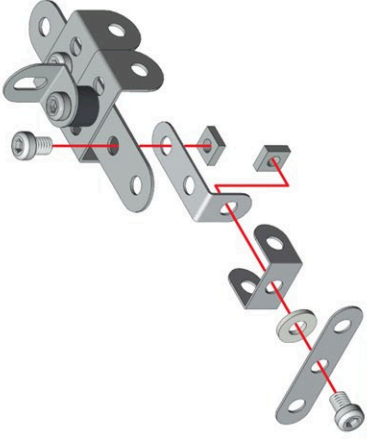
12mm 1/2" 5.8mm 5/64"



2

A419 (02350)	X1
A672 (00172)	X1
A671 (00174)	X1
A527 (00378)	X2
A537 (00374)	X2
A158 (00530)	X1

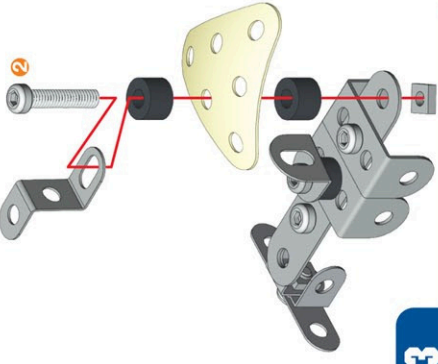
5.8mm 5/64"



3

B484	X1
A238 (00384)	X2
A671 (00174)	X1
A438 (00254)	X1
A327 (00374)	X1

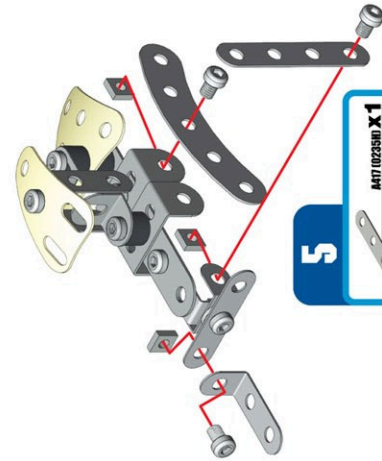
19mm 3/4"



4

B604	X1
A438 (00254)	X1
A527 (00378)	X1
A327 (00374)	X1

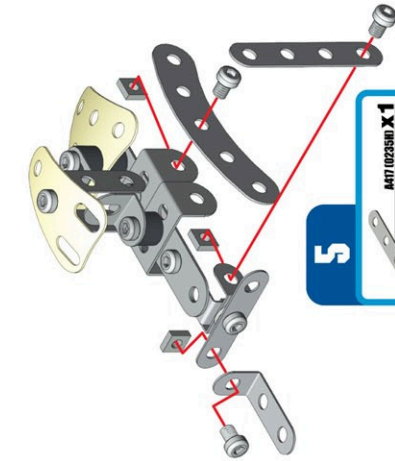
5.8mm 5/64"



5

A417 (02350)	X1
A266 (00090)	X1
A672 (00172)	X1
A527 (00378)	X3
A537 (00374)	X3

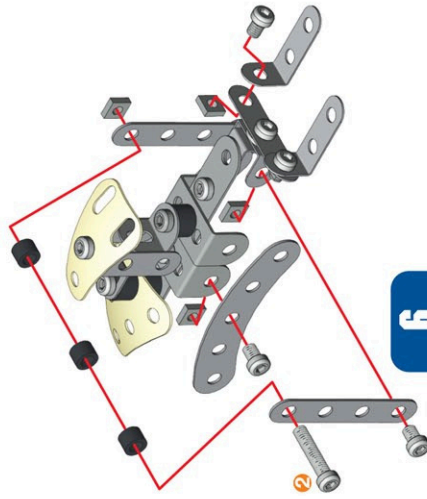
5.8mm 5/64"



6

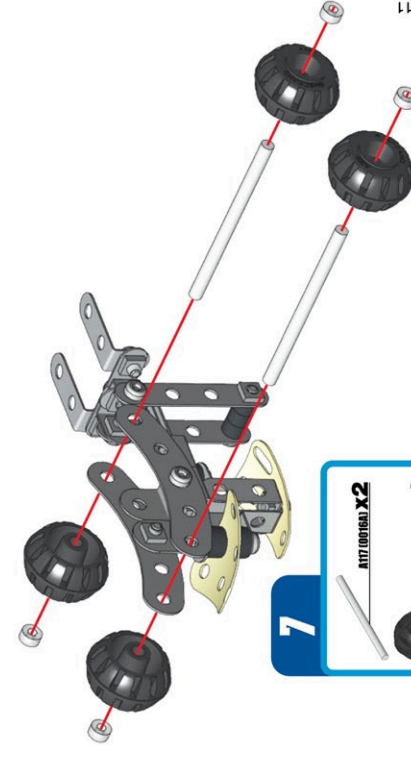
A417 (02350)	X1
A266 (00090)	X1
A672 (00172)	X1
A328 (00388)	X3
A671 (00174)	X1
A527 (00378)	X3
A537 (00374)	X4

19mm 3/4" 5.8mm 5/64"



7

A117 (00164)	X2
A500 (01070)	X4
A250 (00583)	X4



Made in China Fabriqué en Chine Fabricado en China



363, avenue de Saint-Euphrasy 62100 Calais - France
<http://www.meccano.com> <http://www.erecort-sets.com>

©09/2008 MECCANO ©MECCANO and ERECTOR are exclusive trademarks of MECCANO.
 All rights reserved.

Warning: Not suitable for children under 36 months
 due to small parts which may constitute a choking hazard.



840708C 104 111