



CONSTRUCTION

100+



#0251



WARNING: CHOKING HAZARD
Small parts. Not for children under 3 years

| | | |
|--|---------------------|-----------|
| | B586 | x2 |
| | B586 | x4 |
| | B586 | x3 |
| | A005 (J0005) | x1 |
| | A005 (J0005) | x4 |
| | A004 (J0004) | x2 |
| | A004 (J0004) | x2 |
| | A003 (J0003) | x5 |
| | A003 (J0003) | x2 |

| | | |
|--|-----------------------|------------|
| | A002 (J0002) | x1 |
| | A002 (J0002) | x2 |
| | A622 (J0622) | x1 |
| | A432 (J0432) | x1 |
| | A922 (J0922) | x3 |
| | B571 | x4 |
| | A701 (J0701) | x4 |
| | A051 (J0051) | x34 |
| | A052 (J0052) | x34 |
| | A095 (J0095) | x1 |
| | A090 (MJX0200) | x1 |

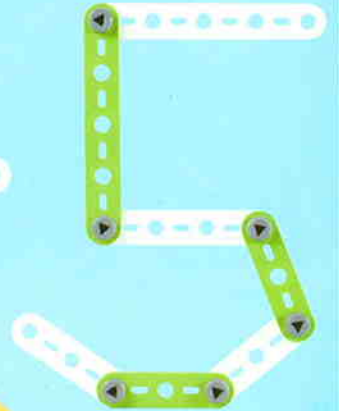
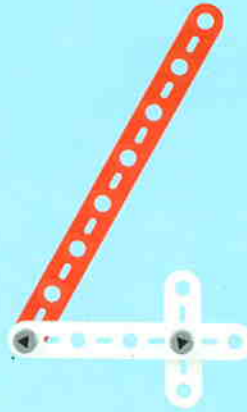
CONSTRUCTION TIPS

LES ASTUCES DE CONSTRUCTION
 KONSTRUKTIONS-TIPPS
 LE ASTUZIE DELLA COSTRUZIONE
 LOS INGENIOS DE LA CONSTRUCCIÓN
 DICAS PARA A MONTAGEM
 KOKOONPANON KIKAT
 BYGGKNEPEN
 ET PAR TIPS TIL BYGGEARBEJDET
 DE FIJNE KNEEPJES VAN NET BOUWEN
 Τα έξυπνα κόλπα κατασκευής
 組み立ての秘訣





b6



b8



b4



1

- x4
- x4
- x2
- x1
- x2
- x4

2

- x6
- x6
- x2
- x4
- x2
- x2

3

- x4
- x4
- x2
- x2
- x1

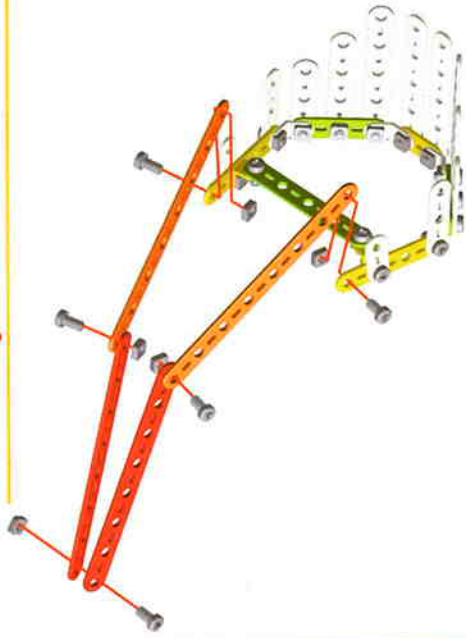
4

x5

x5

x2

x2



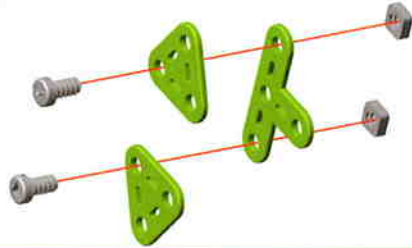
1

x2

x2



x1



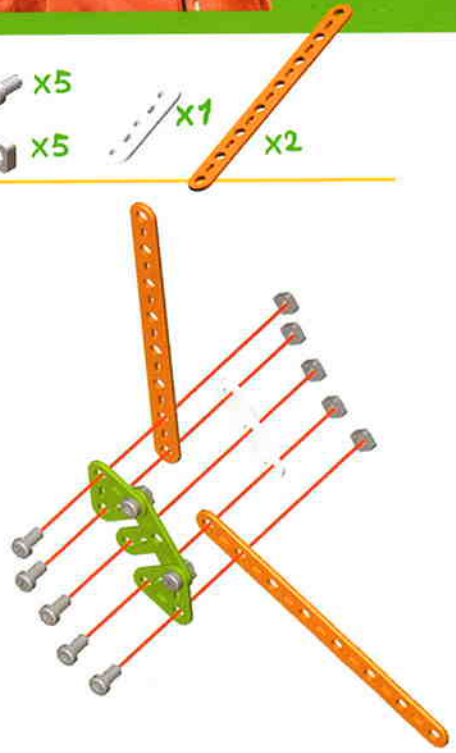
2

x5

x5



x2



3

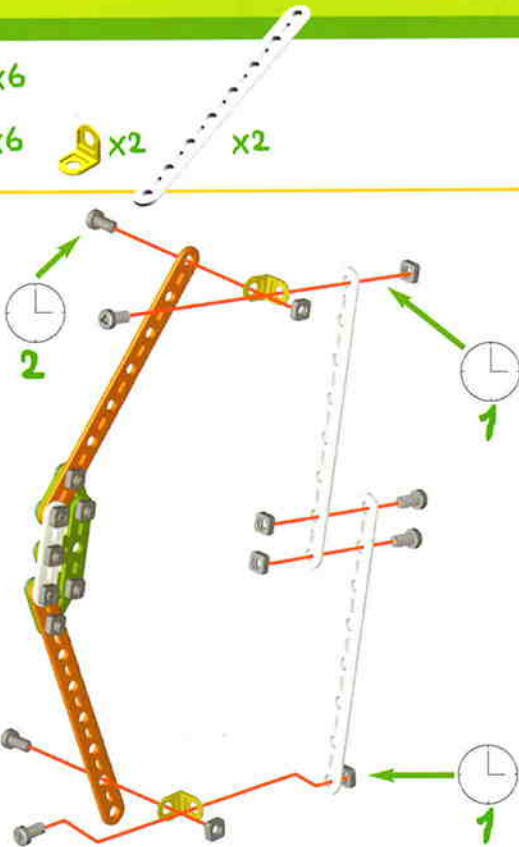
x6

x6



x2

x2



x2

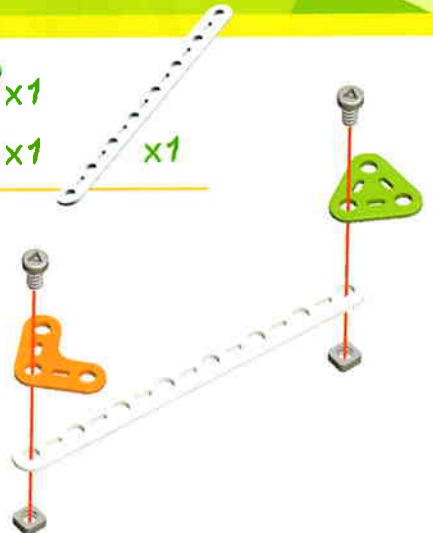
x2

x1

x1



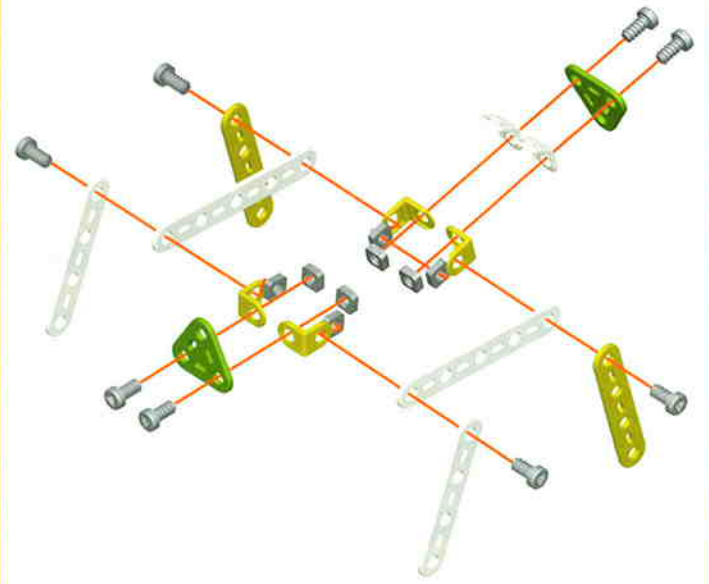
x1



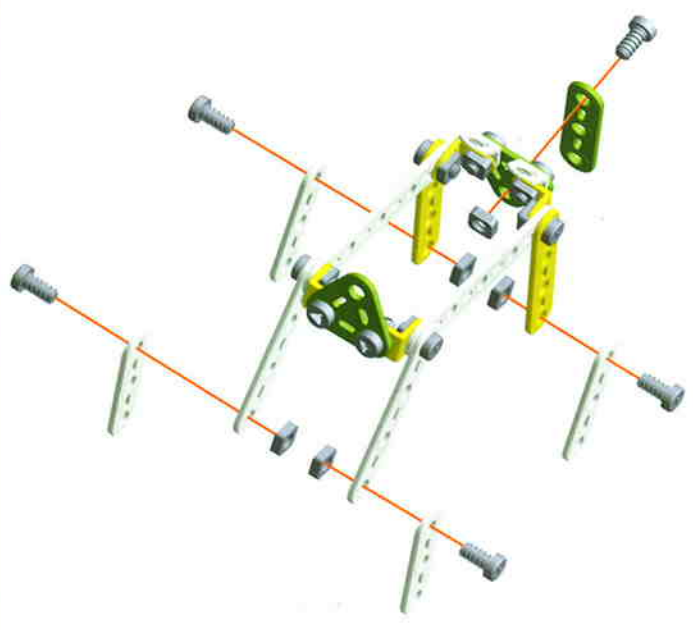
5



- 1**
- x8
 - x4
 - x2
 - x2
 - x2
 - x2
 - x8
 - x2
 - x2



- 2**
- x5
 - x5
 - x4
 - x1

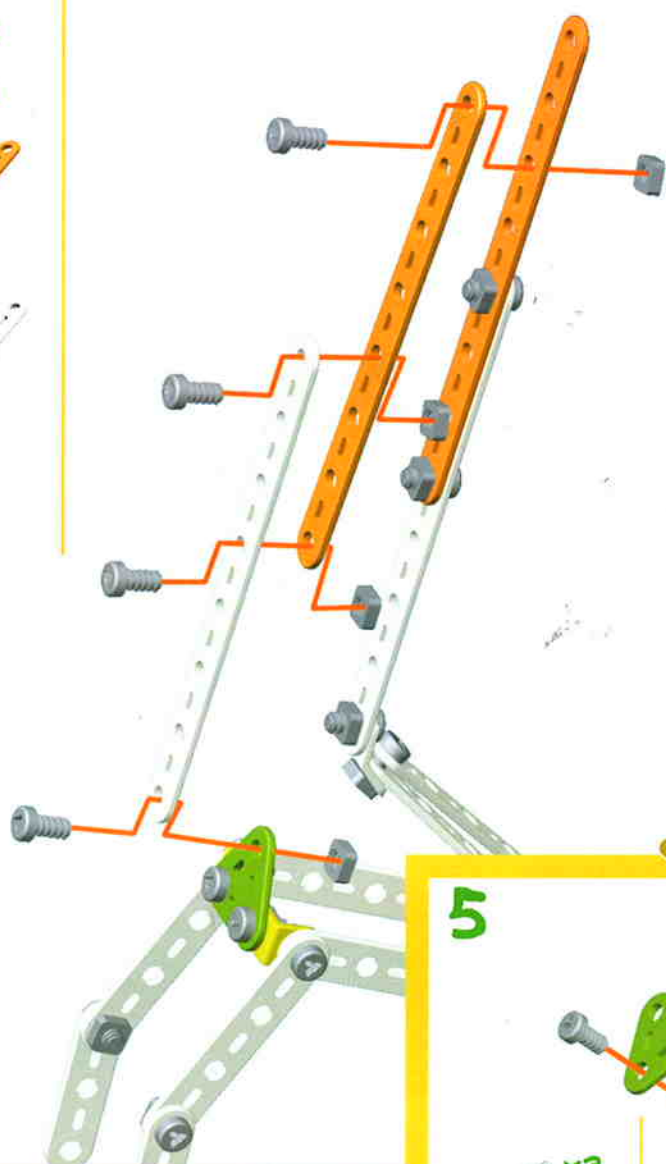


- 3**
- x6
 - x6
 - x1
 - x2
 - x1
 - x1



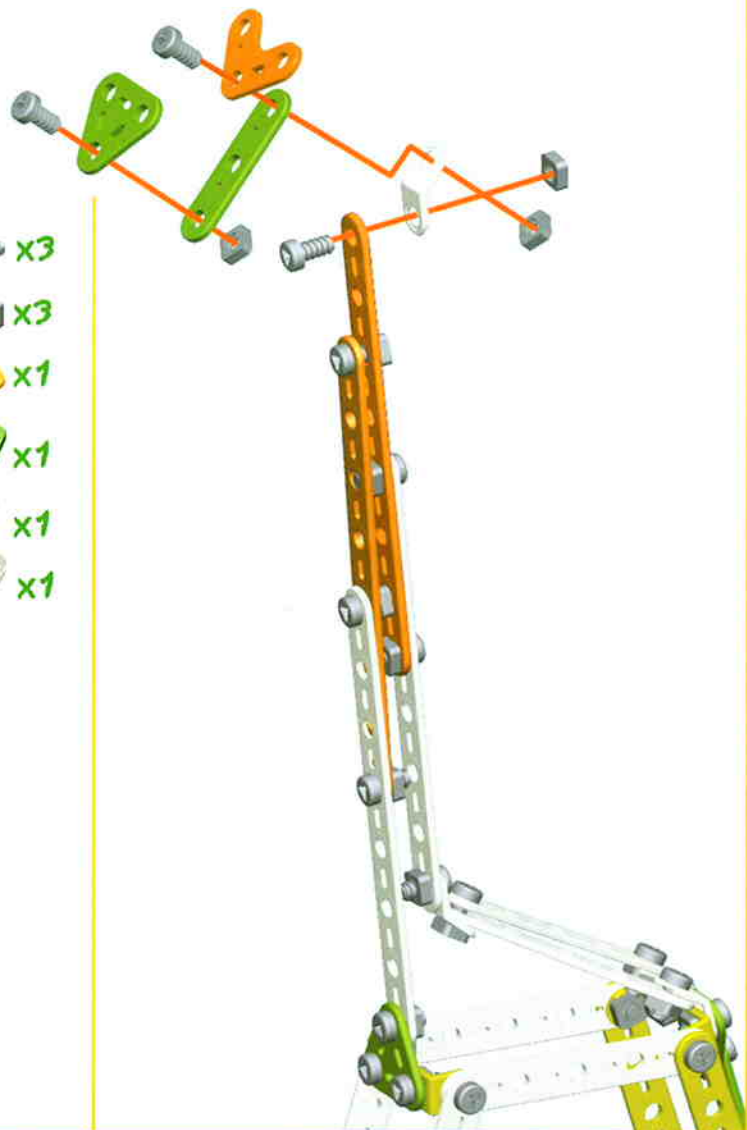
4

-  x4
-  x4
-  x1
-  x1
-  x1



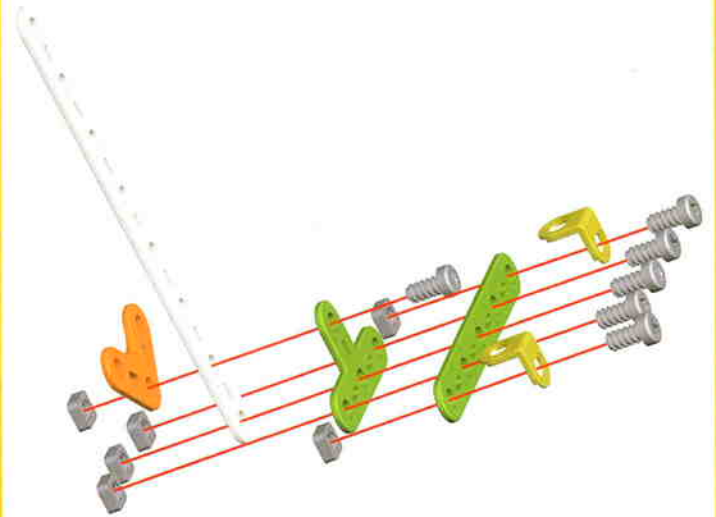
5

-  x3
-  x3
-  x1
-  x1
-  x1
-  x1

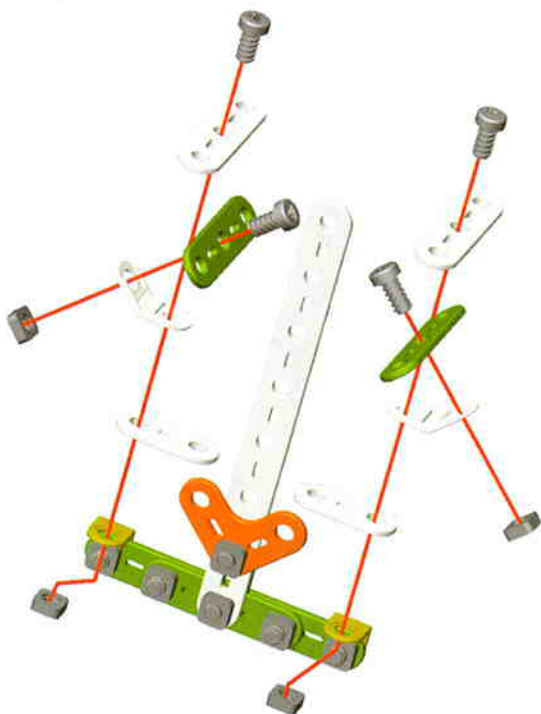




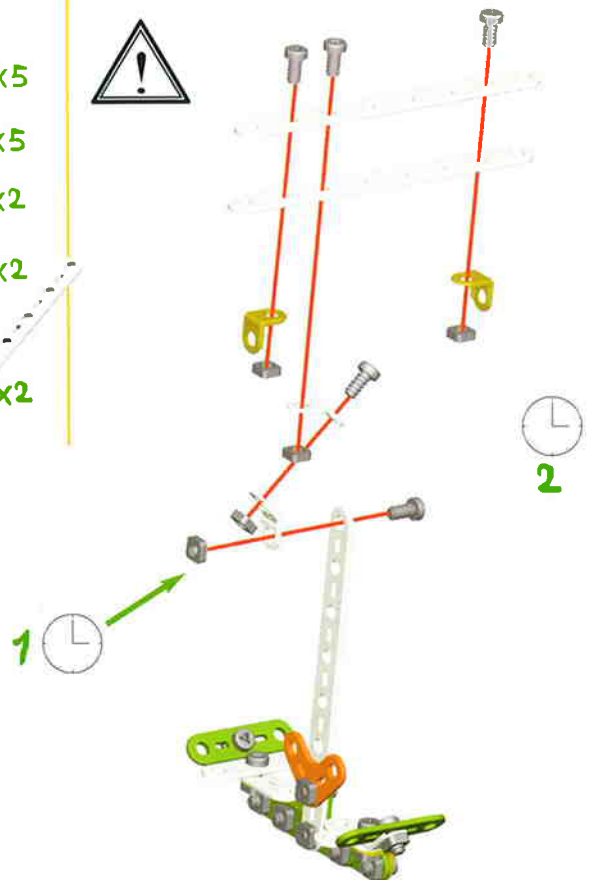
- 1**
- x6
 - x2
 - x6
 - x1
 - x1
 - x1
 - x1



- 2**
- x4
 - x2
 - x2
 - x4
 - x2
 - x2



- 3**
- x5
 - x5
 - x2
 - x2
 - x2



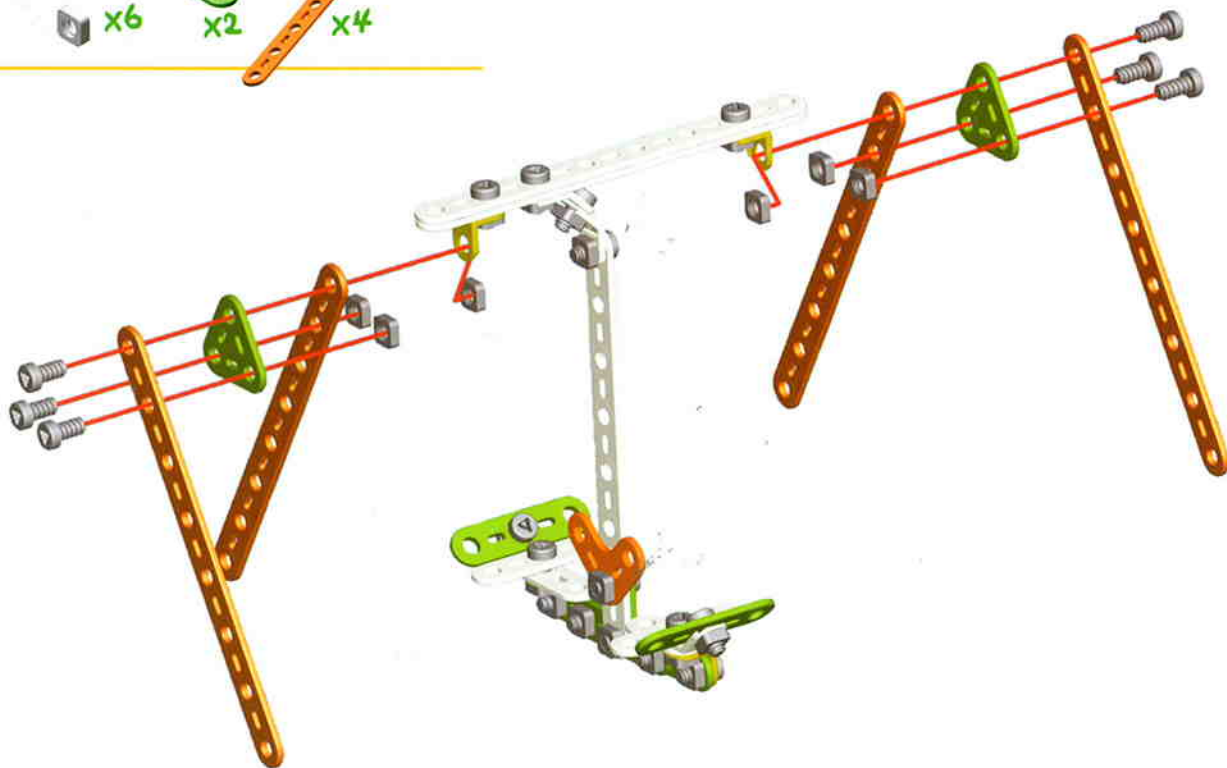
4

x6

x6

x2

x4



5

x8

x8

x4

x2

